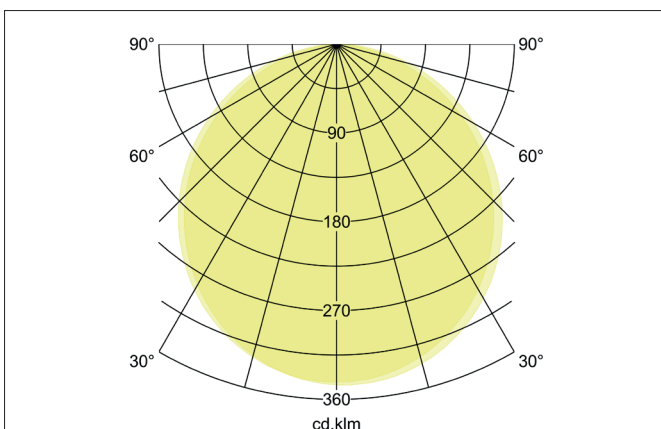
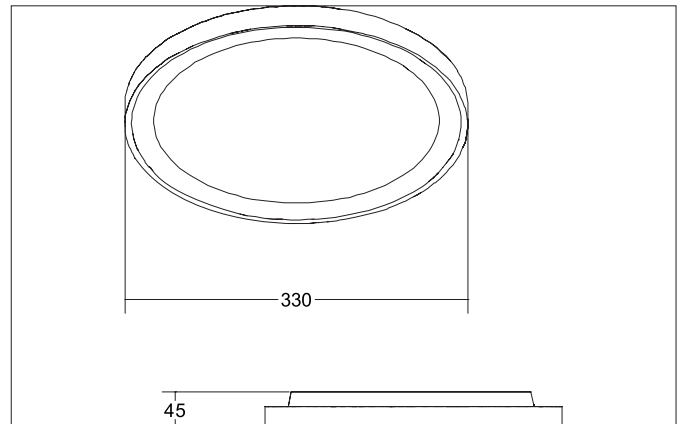


SUNNY MINI LED ceiling surface-mounted downlight, trailing-edge**phase dimmable**

Article no. 12208073

Light.
For Generations.**Tender**

LED ceiling surface-mounted downlight, trailing-edge phase dimmable, Round. Luminaire diameter 330.0 mm, Height 45.0 mm Weight 1.42 kg, with rotationssymmetrical, deep, wide distributed light intensity. optimal light distribution due to a plastic, opal cover. Luminous flux 2.700 lm, UGR < 26, Power 1 x 30 W, Light colour warm white to daylight white, Correlated color temperature (CCT) 3.000 - 6.000 K, Colour rendering index CRI > 80, Rated life time L70/B50 at 25 °C: 50.000 h, Housing material: Aluminium / Steel / Polystyrene, Colour: White, Permissible ambient temperature (ta): -20 °C - +25 °C, Protection class (EN 61140): I, Degree of protection (DIN EN 60529): IP20, shock resistance according to IEC62262: IK04. With electronic driver, Trailing-edge phase dimmable.

Product Benefits

- Standard indirect component in white, can be retrofitted individually as accessories available in amber, blue and red.
- Easy installation due to bayonet mounting and arrestor cable.
- Luminaire can be easily removed without screws thanks to separate mounting plate.
- Three sizes: 330 mm, 440 mm or 550 mm.
- Three on-site adjustable light colors: 3,000 K, 4,000 K and 6,000 K.
- As an additional function: light color adjustable on the switch side via bottom switch function.
- Also available as pendant version (accessory: pendant set 1,500 mm).
- Dimmable as standard via phase cut-off or DALI (size: 440 mm and 550mm).

SUNNY MINI LED ceiling surface-mounted downlight, trailing-edge phase dimmable

Article no. 12208073

Light.
For Generations.

Article data	
Article no.	12208073
GTIN	4251433930433
Series name	SUNNY MINI
Short description	LED ceiling surface-mounted downlight, trailing-edge phase dimmable
Material	Aluminium / Steel / Polystyrene
Colour	White
Type of surface	Matt
Shape	Round
Outer diameter	330 mm
Height	45 mm
Scope of delivery	incl. converter for connection to 230 V mains voltage, dimmable and incl. adjustable color temperature to 3000 K, 4000 K or 6000 K (switching on the housing or via wall-mounted switch via bottom switch function). Optional accessories: Color ring set for the indirect part in the colors red, blue and amber, as well as a pendulum set 1,500 mm.
Weight	1.420 kg

Lighting technology	
Colour temperature	3.000 K / 4.000 K / 6.000 K
Light colour	White
Color Temperature 1	3,000 K
Color Temperature 2	4,000 K
Color Temperature 3	6,000 K
Light output	Direct/Indirect
Luminous flux	2,700 lm
Luminous flux 1	2,700 lm
Luminous flux 2	2,898 lm
Luminous flux 3	2,583 lm
System efficiency	90 lm/W
Colour rendering	CRI > 80
Reflector	Without
Beam angle	110°
Glare evaluation	UGR < 26
Light sharing	Symmetric
Adjustable color temperature	Stages

Operating technology of the luminaire	
System output	30 W
Voltage type	AC
AC nominal voltage max	230 V
Frequency max	50 Hz
Lamp	LED
Lamp holder	Without fitting
Protection class	I
Degree of protection	IP20
Dimmable	Yes
Control	Trailing-edge phase
Bulb change possible	The light source of this luminaire may only be replaced by the manufacturer or a service technician commissioned by him or a similarly qualified person.
Rated life time L70/B50 at 25 °C	50,000 h

Mounting technology	
Mounting method	Surface mounting
Place of installation	Ceiling-mounted
Adjustability	Not adjustable
Impact resistance	IK04
stamp	UKCA
Material cover	Plastic, opal

SUNNY MINI LED ceiling surface-mounted downlight, trailing-edge**phase dimmable**

Article no. 12208073

Light.

For Generations.

Packing data	
Gross weight	1.661 kg
Length of packaging	365 mm
Packaging width	360 mm
Packaging height	55 mm
Disposal at end of life	<p>This product must not be disposed of with household waste. You are obliged, to dispose of such electrical waste separately.</p> <p>By disposing of electrical waste and other old or defective electronics separately, you support recycling or other forms of re-use. In that way you help to take care and to avoid that harmful substances get into the environment.</p>

Required accessories	
----------------------	--