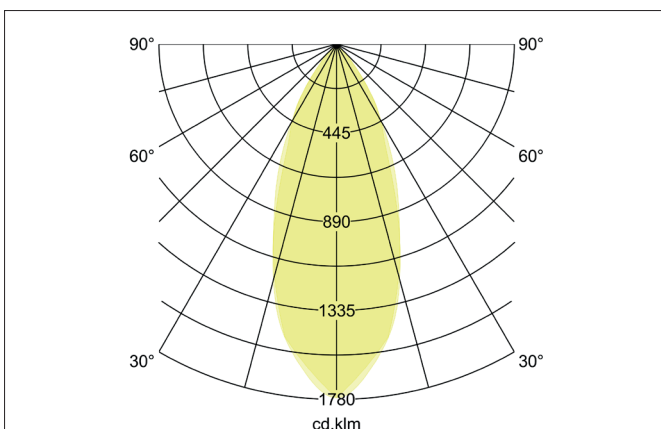
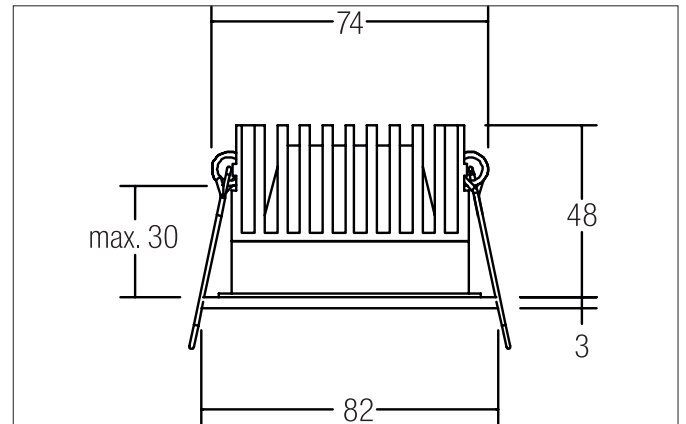


CALLIDA LED recessed downlight, dim2warm

Article no. 12116253

Light.
For Generations.**Tender**

LED recessed downlight, dim2warm, Round. Toolless ceiling installation by installation springs. Ceiling cut-out \varnothing 74 mm, Installation depth 48 mm, Outer diameter 82 mm, Weight 0,224 kg, Reflector silver with rotationssymmetrical, deep, wide distributed light intensity. optimal light distribution due to a plastic, transparent cover. Luminous flux 830 lm, Power 1 x 12 W, Light colour warm white to warm white, Correlated color temperature (CCT) 3.000 K - 1.800 K, Colour rendering index CRI > 90, Rated life time L70/B50 at 25 °C: 50.000 h, Housing material: Aluminium / Polycarbonate, Colour: Alu, Permissible ambient temperature (ta): -20 °C - +25 °C, Protection class (EN 61140): III, Degree of protection (DIN EN 60529): IP20, .For connection to an external driver, which is not included in the scope of delivery of the luminaire. Depending on driver dimmable.

Product Benefits

- Recessed downlight in round design made of massive aluminum.
- Ceiling cutout 74 mm, outer diameter 82 mm, mounting depth 48 mm, luminous flux 930 lm, IP20.
- Recessed light emission for improved glare reduction.
- Dimmable when using a suitable converter.
- If the luminaire is dimmed, the colour temperature is reduced (dim2warm, 3000 K - 1800 K).
- Also available as a factory complete set with dimmable converter (trailing-edge phase dimmer).

CALLIDA LED recessed downlight, dim2warm

Article no. 12116253

Light.
For Generations.

Article data	
Article no.	12116253
GTIN	4250047797234
Series name	CALLIDA
Short description	LED recessed downlight, dim2warm
Material	Aluminium / Polycarbonate
Colour	Alu
Type of surface	Matt
Shape	Round
Outer diameter	82 mm
Built-in diameter	74 mm
Installation depth	48 mm
Hight	3 mm
Weight	0.224 kg

Lighting technology	
Colour temperature	3.000 K - 1.800 K
Light colour	White
Light output	Direct
Luminous flux	830 lm
System efficiency	69 lm/W
Colour rendering	CRI > 90
Reflector	High-gloss
Reflector colour	silver
Beam angle	18°
Light sharing	Symmetric
Adjustable color temperature	Infinite control

Operating technology of the luminaire	
Voltage type	DC
Current	350 mA
Lamp	LED
Lamp holder	Plug&Play
Protection class	III
Degree of protection	IP20
Dimmable	Depending on type of control gear
Control	Depending on driver
Bulb change possible	The light source of this luminaire may only be replaced by the manufacturer or a service technician commissioned by him or a similarly qualified person.
Rated life time L70/B50 at 25 °C	50,000 h

Mounting technology	
Mounting method	Recessed mounting
Place of installation	Ceiling-mounted
Adjustability	Not adjustable
Max. ceiling thickness	30 mm
stamp	UKCA
Further references	No cover with thermal insulation material
Material cover	Plastic, transparent
Suitable for through-wiring	Yes, with optional accessories

CALLIDA LED recessed downlight, dim2warm

Article no. 12116253

Light.
For Generations.

Packing data	
Gross weight	0.265 kg
Length of packaging	96 mm
Packaging width	96 mm
Packaging height	70 mm
Disposal at end of life	<p>This product must not be disposed of with household waste. You are obliged, to dispose of such electrical waste separately.</p> <p>By disposing of electrical waste and other old or defective electronics separately, you support recycling or other forms of re-use. In that way you help to take care and to avoid that harmful substances get into the environment.</p>

CALLIDA LED recessed downlight, dim2warm

Article no. 12116253

Light.
For Generations.

Accessories	
	Article no.: 17664000 LED converter 350 mA, trailing-edge phase dimmable Power: 10,2 - 14 W Dimensions: 125 mm x 51 mm x 20 mm
	Article no.: 17664010 LED converter 350 mA, trailing-edge phase dimmable Power: 10,2 - 14 W Dimensions: 125 mm x 51 mm x 20 mm
	Article no.: 17664020 LED converter 350 mA, trailing-edge phase dimmable Power: 10,2 - 14 W Dimensions: 125 mm x 51 mm x 20 mm
	Article no.: 17643000 LED converter 350 mA, trailing-edge phase dimmable : 8,8 - 18 W Dimensions: 110 mm x 52 mm x 22 mm
	Article no.: 17643010 LED converter 350 mA, trailing-edge phase dimmable : 8,8 - 18 W Dimensions: 110 mm x 52 mm x 22 mm
	Article no.: 17643020 LED converter 350 mA, trailing-edge phase dimmable : 8,8 - 18 W Dimensions: 110 mm x 52 mm x 22 mm
	Article no.: 17657000 LED converter 350 mA, 1-10 V dimmable (analog) Power: 5,2 - 18 W Dimensions: 110 mm x 52 mm x 22 mm
	Article no.: 17657010 LED converter 350 mA, 1-10 V dimmable (analog) Power: 5,2 - 18 W Dimensions: 110 mm x 52 mm x 22 mm
	Article no.: 17683000 LED converter 350 mA, DALI dimmable (digital) Power: 3,5 - 17 W Dimensions: 110 mm x 52 mm x 22 mm
	Article no.: 17683010 LED converter 350 mA, DALI dimmable (digital) Power: 3,5 - 17 W Dimensions: 110 mm x 52 mm x 22 mm

CALLIDA LED recessed downlight, dim2warm

Article no. 12116253

Light.
For Generations.

Accessories	
A small white rectangular LED converter with two black wires and a black connector.	Article no.: 17683020 LED converter 350 mA, DALI dimmable (digital) Power: 3,5 - 17 W Dimensions: 110 mm x 52 mm x 22 mm
A white rectangular LED converter with two black wires and a black connector.	Article no.: 17671000 LED converter 350mA, ZigBee dimmable Power: 3,5 - 18,5 W Dimensions: 146 mm x 44 mm x 30 mm
A white rectangular LED converter with two black wires and a black connector.	Article no.: 17671010 LED converter 350mA, ZigBee dimmable Power: 3,5 - 18,5 W Dimensions: 146 mm x 44 mm x 30 mm
A white rectangular LED converter with two black wires and a black connector, and a black plastic cover.	Article no.: 17671020 LED converter 350mA, ZigBee dimmable Power: 3,5 - 18,5 W Dimensions: 146 mm x 44 mm x 30 mm
A white rectangular LED converter with two black wires and a black connector.	Article no.: 17672000 LED converter 350mA, Casambi dimmable Power: 3,5 - 18 W Dimensions: 146 mm x 44 mm x 30 mm
A white rectangular LED converter with two black wires and a black connector.	Article no.: 17672010 LED converter 350mA, Casambi dimmable Power: 3,5 - 18 W Dimensions: 146 mm x 44 mm x 30 mm
A white rectangular LED converter with two black wires and a black connector, and a black plastic cover.	Article no.: 17672020 LED converter 350mA, Casambi dimmable Power: 3,5 - 18 W Dimensions: 146 mm x 44 mm x 30 mm
A black cable with a connector on one end and a plug on the other.	Article no.: 3835 Plug & Play extension lead 350 mA Dimensions: 500 mm
A black cable with a connector on one end and a plug on the other.	Article no.: 3836 Plug & Play extension lead 350 mA Dimensions: 1,000 mm
A black cable with a connector on one end and a plug on the other.	Article no.: 3837 Plug & Play extension lead 350 mA Dimensions: 2,000 mm