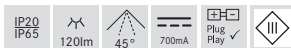
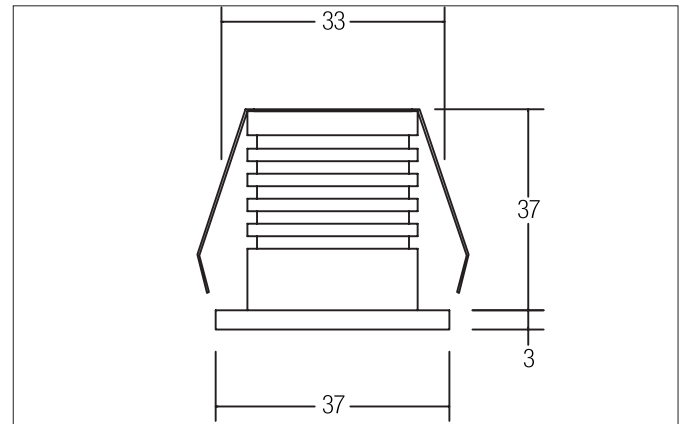


**LEAWY LED light point, IP65**

Article no. 12053173

Light.  
For Generations.**Tender**

LED light point, IP65, white structure, Round. In a compact design, for installation in tool-less rapid assembly systems. Lamp holder: Plug&Play, Mounting method: Recessed mounting, Place of installation: Ceiling-mounted, Material: Aluminium / Plastic, Degree of protection: according to DIN EN 60529 IP65, Protection class: (EN 61140) III, Current: 700 mA, Power: 3 W, Amount of light sources / fittings: 1 Qty, Luminous flux : 120 lm, Colour temperature: 3.100 K, Beam angle: 45°, Adjustability: Not adjustable, without control gear, Dimmable: Depending on type of control gear, Control: Depending on driver.

Article data	
Article no.	12053173
GTIN	4250047774464
Series name	LEAWY
Short description	LED light point, IP65
Material	Aluminium
Colour	White
Type of surface	Structure
Shape	Round
Outer diameter	37 mm
Built-in diameter	33 mm
Installation depth	37 mm
Height	3 mm
Weight	0.069 kg

**LEAWY LED light point, IP65**

Article no. 12053173

Light.  
For Generations.

Lighting technology	
Colour temperature	3.000 K
Light colour	White
Light output	Direct
Luminous flux	120 lm
Colour rendering	CRI > 80
Reflector	Without
Beam angle	45°
Light sharing	Symmetric
Adjustable color temperature	No

Operating technology of the luminaire	
System output	3 W
Voltage type	DC
Current	700 mA
Lamp	LED
Lamp holder	Plug&Play
Protection class	III
Degree of protection	IP65
Schutzart deckenseitig	IP20
Dimmable	Depending on type of control gear
Control	Depending on driver
Bulb change possible	The light source of this luminaire may only be replaced by the manufacturer or a service technician commissioned by him or a similarly qualified person.

Mounting technology	
Mounting method	Recessed mounting
Place of installation	Ceiling-mounted
Adjustability	Not adjustable
stamp	UKCA
Further references	No cover with thermal insulation material
Material cover	Glass transparent

Packing data	
Gross weight	0.087 kg
Length of packaging	65 mm
Packaging width	55 mm
Packaging height	65 mm
Disposal at end of life	This product must not be disposed of with household waste. You are obliged, to dispose of such electrical waste separately. By disposing of electrical waste and other old or defective electronics separately, you support recycling or other forms of re-use. In that way you help to take care and to avoid that harmful substances get into the environment.

Required accessories	
----------------------	--

**LEAWY LED light point, IP65**

Article no. 12053173

Light.  
For Generations.

Accessories	
	<p>Article no.: 17783010 LED converter 700 mA, DALI dimmable, (digital) Power: 2,1 - 20 W Dimensions: 110 mm x 52 mm x 22 mm</p>
	<p>Article no.: 17783020 LED converter 700 mA, DALI dimmable, (digital) Power: 2,1 - 20 W Dimensions: 110 mm x 52 mm x 22 mm</p>
	<p>Article no.: 3838 Plug &amp; Play extension lead 700 mA Dimensions: 500 mm</p>
	<p>Article no.: 3839 Plug &amp; Play extension lead 700 mA Dimensions: 1,000 mm</p>
	<p>Article no.: 3840 Plug &amp; Play extension lead 700 mA Dimensions: 2,000 mm</p>