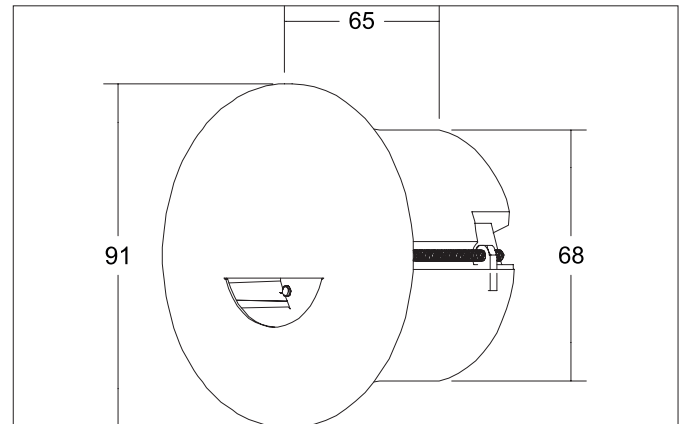


ADAPTwall LED wall recessed light, for device socket

Article no. 10371083

Light.
For Generations.**Tender**

LED wall recessed light, for device socket, Round. Ceiling cut-out \varnothing 68 mm, Installation depth 65 mm, Outer diameter 91 mm, Weight 0,173 kg, asymmetric optimal light distribution due to a Without cover cover. Luminous flux 180 lm, Power 1 x 2 W, System Efficiency 90 lm/W, Light colour warm white, Correlated color temprature (CCT) 3.000 K, Colour rendering index CRI > 80, Rated life time L70/B50 at 25 °C: 35000 h, Housing material: Aluminium / Steel / Plastic, Colour: Black, Permissible ambient temperature (ta): -20 °C - +25 °C, Protection class (EN 61140): II, Degree of protection (DIN EN 60529): IP20. With electronic driver, on/off switchable.

Article data	
Article no.	10371083
GTIN	4251433953760
Series name	ADAPTwall
Short description	LED wall recessed light, for device socket
Material	Aluminium / Steel / Plastic
Colour	Black
Type of surface	Matt
Shape	Round
Outer diameter	91 mm
Built-in diameter	68 mm
Installation depth	65 mm
Height	12 mm
Weight	0.173 kg

ADAPTwall LED wall recessed light, for device socket

Article no. 10371083

Light.
For Generations.

Lighting technology	
Colour temperature	3.000 K
Light colour	White
Luminous flux	180 lm
System efficiency	90 lm/W
Colour rendering	CRI > 80
Reflector	Without
Light sharing	Asymmetric

Operating technology of the luminaire	
System output	2 W
Voltage type	AC
AC nominal voltage max	230 V
Frequenz max.	50 Hz
Lamp	LED
Protection class	II
Degree of protection	IP20
Control	on/off
Bulb change possible	The light source of this luminaire may only be replaced by the manufacturer or a service technician commissioned by him or a similarly qualified person.
Rated life time L70/B50 at 25 °C	35000 h

Mounting technology	
Mounting method	Recessed mounting
Place of installation	Wall-mounted
Adjustability	Not adjustable
Material cover	Without cover

Packing data	
Gross weight	0.204 kg
Length of packaging	105 mm
Packaging width	90 mm
Packaging height	55 mm
Disposal at end of life	This product must not be disposed of with household waste. You are obliged, to dispose of such electrical waste separately. By disposing of electrical waste and other old or defective electronics separately, you support recycling or other forms of re-use. In that way you help to take care and to avoid that harmful substances get into the environment.