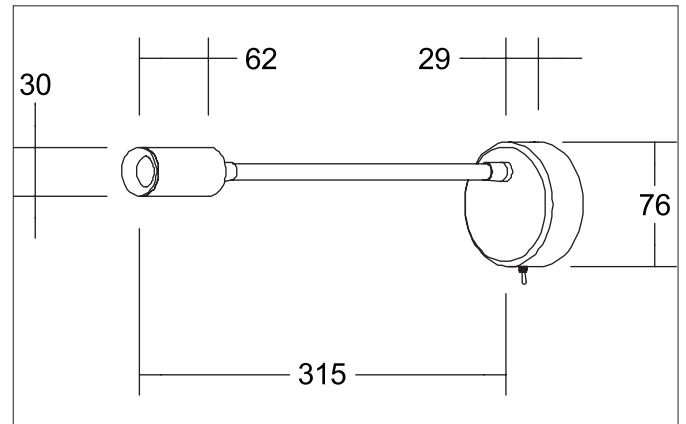


ARCUS LED surface mounted reading light, with cylinder head

Article no. 10190723

Light.
For Generations.**Tender**

LED surface mounted reading light, with cylinder head, Round. Luminaire diameter 76.0 mm, Height 29.0 mm Weight 0.303 kg, with rotatory-symmetrical, deep, wide distributed light intensity. optimal light distribution due to a glass transparent cover. Luminous flux 290 lm, Power 1 x 4,2 W, Light colour warm white, Correlated color temperature (CCT) 3.000 K, Colour rendering index CRI > 80, Housing material: Aluminium / Steel, Colour: White / Chrome, Permissible ambient temperature (ta): -20 °C - +25 °C, Protection class (EN 61140): I, Degree of protection (DIN EN 60529): IP20, .With electronic driver, on/off switchable.

Article data	
Article no.	10190723
GTIN	4251433932932
Series name	ARCUS
Short description	LED surface mounted reading light, with cylinder head
Material	Aluminium / Steel
Colour	White / Chrome
Shape	Round
Outer diameter	76 mm
Height	29 mm
Scope of delivery	Incl. converter for connection to the 230-V mains voltage, on/off switchable
Weight	0.303 kg

ARCUS LED surface mounted reading light, with cylinder head

Article no. 10190723

Light.
For Generations.

Lighting technology	
Colour temperature	3.000 K
Light colour	White
Light output	Direct
Luminous flux	290 lm
System efficiency	69 lm/W
Colour rendering	CRI > 80
Reflector	High-gloss
Beam angle	41°
Light sharing	Symmetric
Adjustable color temperature	No

Operating technology of the luminaire	
System output	4.2 W
Voltage type	AC
AC nominal voltage max	230 V
Frequenz max.	50 Hz
Lamp	LED
Lamp holder	Without fitting
Protection class	I
Degree of protection	IP20
Dimmable	No
Control	on/off
Bulb change possible	The light source of this luminaire may only be replaced by the manufacturer or a service technician commissioned by him or a similarly qualified person.

Mounting technology	
Mounting method	Surface mounting
Place of installation	Wall-mounted
Adjustability	Head adjustable
stamp	UKCA
Material cover	Glass transparent

Packing data	
Gross weight	0.409 kg
Length of packaging	375 mm
Packaging width	86 mm
Packaging height	86 mm
Disposal at end of life	This product must not be disposed of with household waste. You are obliged, to dispose of such electrical waste separately. By disposing of electrical waste and other old or defective electronics separately, you support recycling or other forms of re-use. In that way you help to take care and to avoid that harmful substances get into the environment.