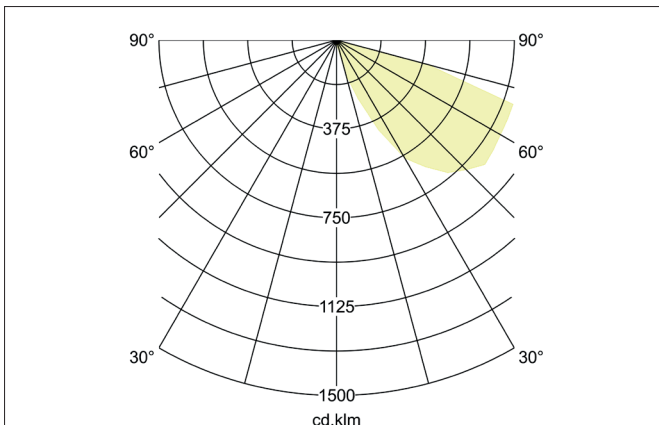
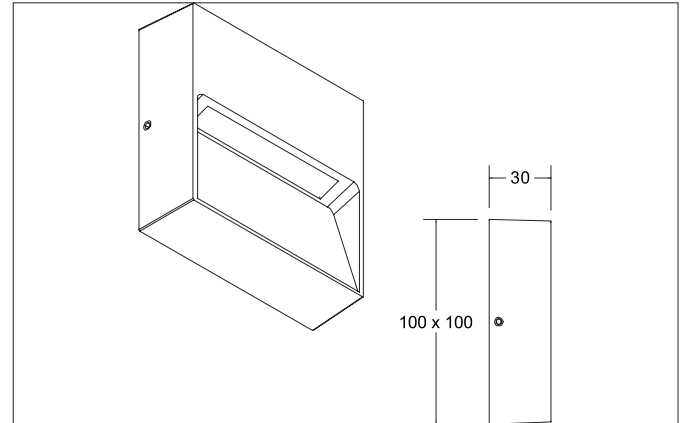


**MARK LED wall surface mounted luminaire, IP65**  
Article no. 10171183

Light.  
For Generations.



**Tender**

LED wall surface mounted luminaire, IP65, Square. Luminaire length 100.0 mm, Luminaire width 100.0 mm, Hight 30.0 mm Weight 0.255 kg, with rotationssymmetrical, deep, wide distributed light intensity. optimal light distribution due to a glass transparent cover. Luminous flux 320 lm, Power 1 x 4 W, Light colour warm white, Correlated color temprature (CCT) 3.000 K, Colour rendering index CRI > 80, Housing material: Aluminium, Colour: Black, Permissible ambient temperature (ta): -20 °C - +25 °C, Protection class (EN 61140): I, Degree of protection (DIN EN 60529): IP65, .With electronic driver, on/off switchable.

| Article data      |  |
|-------------------|--|
| Article no.       | 10171183   |
| GTIN              | 4251433949282  |
| Series name       | MARK   |
| Short description | LED wall surface mounted luminaire, IP65                                     |
| Material          | Aluminium  |
| Colour            | Black  |
| Shape             | Square   |
| Length            | 100 mm   |
| Width             | 100 mm   |
| Hight             | 30 mm  |
| Scope of delivery | Incl. converter for connection to the 230-V mains voltage, on/off switchable |
| Weight            | 0.255 kg   |

**MARK LED wall surface mounted luminaire, IP65**

Article no. 10171183

Light.  
For Generations.

| Lighting technology          |           |
|------------------------------|-----------|
| Colour temperature           | 3.000 K   |
| Light colour                 | White     |
| Light output                 | Direct    |
| Luminous flux                | 320 lm    |
| System efficiency            | 80 lm/W   |
| Colour rendering             | CRI > 80  |
| Reflector                    | Without   |
| Beam angle                   | 65°       |
| Light sharing                | Symmetric |
| Adjustable color temperature | No        |

| Operating technology of the luminaire |  |
|---------------------------------------|--|
| System output                         | 4 W  |
| Voltage type                          | AC   |
| AC nominal voltage max                | 230 V  |
| Frequenz max.                         | 50 Hz  |
| Frequenz min.                         | 50 Hz  |
| Lamp                                  | LED  |
| Lamp holder                           | Without fitting  |
| Protection class                      | I  |
| Degree of protection                  | IP65   |
| Dimmable                              | No   |
| Control                               | on/off   |
| Bulb change possible                  | The light source of this luminaire may only be replaced by the manufacturer or a service technician commissioned by him or a similarly qualified person. |

| Mounting technology         |                   |
|-----------------------------|-------------------|
| Mounting method             | Surface mounting  |
| Place of installation       | Wall-mounted      |
| Adjustability               | Not adjustable    |
| stamp                       | UKCA              |
| Material cover              | Glass transparent |
| Suitable for through-wiring | No                |

| Packing data            |   |
|-------------------------|---|
| Gross weight            | 0.317 kg  |
| Length of packaging     | 110 mm  |
| Packaging width         | 110 mm  |
| Packaging height        | 40 mm   |
| Disposal at end of life | This product must not be disposed of with household waste. You are obliged, to dispose of such electrical waste separately.<br>By disposing of electrical waste and other old or defective electronics separately, you support recycling or other forms of re-use. In that way you help to take care and to avoid that harmful substances get into the environment. |