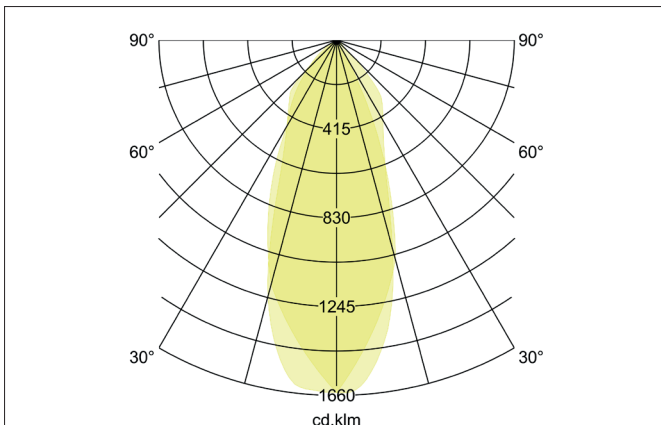
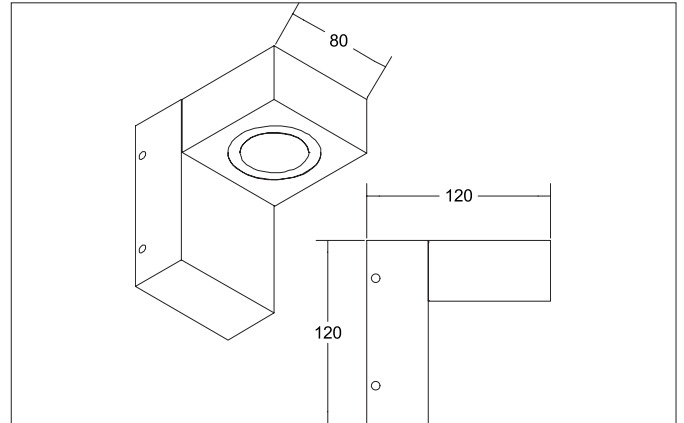
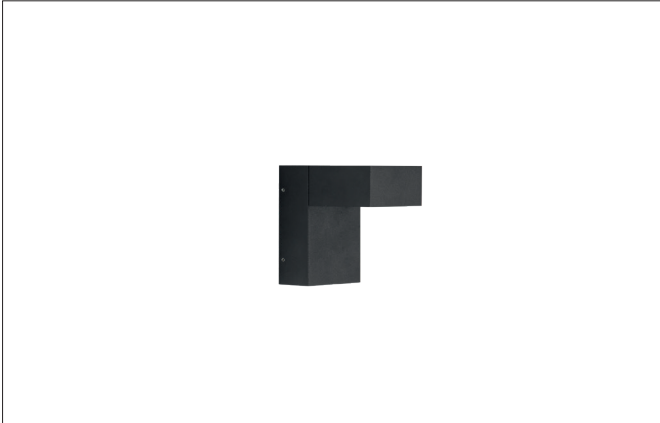


**LANTERN LED wall surface mounted luminaire, IP65**

Article no. 10106103

Light.  
For Generations.**Tender**

LED wall surface mounted luminaire, IP65, Rectangular. Luminaire length 120.0 mm, Luminaire width 80.0 mm, Hight 120.0 mm Weight 1.169 kg, with rotattionssymmetrical, deep, wide distributed light intensity. optimal light distribution due to a glass transparent cover. Luminous flux 520 lm, Power 1 x 9 W, Light colour warm white, Correlated color temprature (CCT) 3.000 K, Colour rendering index CRI > 90, Housing material: Aluminium / Plastic, Colour: Graphite, Permissible ambient temperature (ta): -20 °C - +25 °C, Protection class (EN 61140): I, Degree of protection (DIN EN 60529): IP65, .With electronic driver, on/off switchable.

Article data	
Article no.	10106103
GTIN	4251433930693
Series name	LANTERN
Short description	LED wall surface mounted luminaire, IP65
Material	Aluminium / Plastic
Colour	Graphite
Shape	Rectangular
Length	120 mm
Width	80 mm
Hight	120 mm
Scope of delivery	Incl. converter for connection to the 230-V mains voltage, on/off switchable
Weight	1.169 kg

**LANTERN LED wall surface mounted luminaire, IP65**

Article no. 10106103

Light.  
For Generations.

Lighting technology	
Colour temperature	3.000 K
Light colour	White
Light output	Direct
Luminous flux	520 lm
System efficiency	58 lm/W
Colour rendering	CRI > 90
Reflector	Without
Beam angle	40°
Light sharing	Symmetric
Adjustable color temperature	No

Operating technology of the luminaire	
System output	9 W
Voltage type	AC
AC nominal voltage max	220 V
Frequenz max.	50 Hz
Lamp	LED
Lamp holder	Without fitting
Protection class	I
Degree of protection	IP65
Control	on/off

Mounting technology	
Mounting method	Surface mounting
Place of installation	Wall-mounted
Adjustability	Not adjustable
stamp	UKCA
Material cover	Glass transparent
Suitable for through-wiring	Yes

Packing data	
Gross weight	1.281 kg
Length of packaging	120 mm
Packaging width	150 mm
Packaging height	160 mm
Disposal at end of life	This product must not be disposed of with household waste. You are obliged, to dispose of such electrical waste separately. By disposing of electrical waste and other old or defective electronics separately, you support recycling or other forms of re-use. In that way you help to take care and to avoid that harmful substances get into the environment.