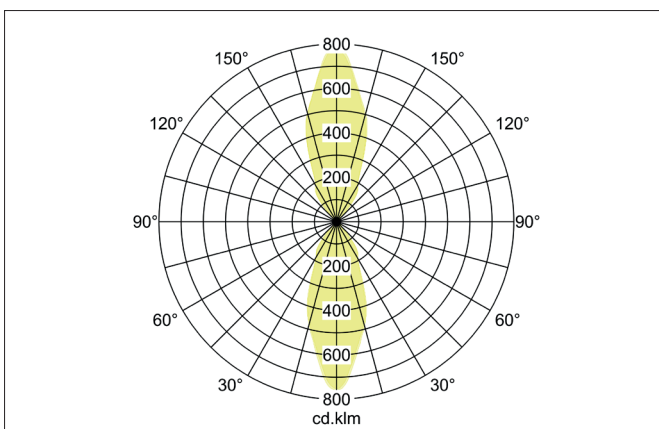
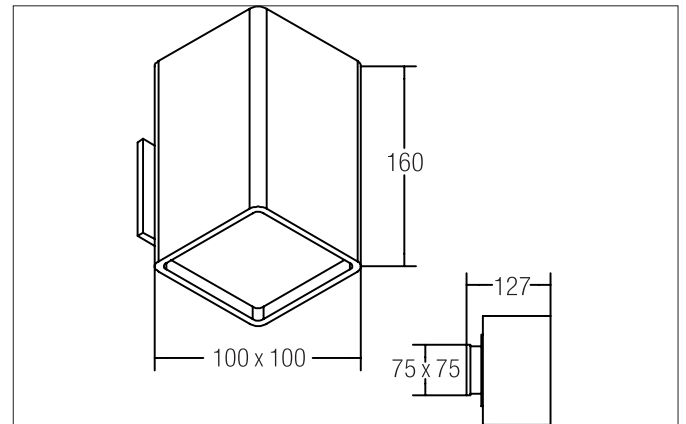


**QUBIC LED wall surface mounted luminaire, with indirect light component**

Article no. 10040183

Light.  
For Generations.**Tender**

LED wall surface mounted luminaire, with indirect light component, Rectangular. Luminaire length 127.0 mm, Luminaire width 100.0 mm, Hight 160.0 mm Weight 1.862 kg, Reflector silver with rotationssymmetrical, deep, wide distributed light intensity. optimal light distribution due to a glass transparent cover. Luminous flux 1.350 lm, Power 2 x 13 W, Light colour warm white, Correlated color temprature (CCT) 3.000 K, Colour rendering index CRI > 90, Housing material: Aluminium / Glass / Plastic, Colour: Black structure, Permissible ambient temperature (ta): -20 °C - +25 °C, Protection class (EN 61140): I, Degree of protection (DIN EN 60529): IP20, .With electronic driver, on/off switchable.

Article data	
Article no.	10040183
GTIN	4251433953388
Series name	QUBIC
Short description	LED wall surface mounted luminaire, with indirect light component
Material	Aluminium / Glass / Plastic
Colour	Black
Type of surface	Structure
Shape	Rectangular
Length	127 mm
Width	100 mm
Hight	160 mm
Scope of delivery	Incl. converter for connection to the 230-V mains voltage, on/off switchable
Weight	1.862 kg

**QUBIC LED wall surface mounted luminaire, with indirect light component**

Article no. 10040183

Light.  
For Generations.

Lighting technology	
Colour temperature	3.000 K
Light colour	White
Light output	Direct/Indirect
Luminous flux	1,350 lm
System efficiency	104 lm/W
Colour rendering	CRI > 90
Reflector	High-gloss
Reflector colour	silver
Beam angle	40°
Light sharing	Symmetric
Adjustable color temperature	No

Operating technology of the luminaire	
System output	13 W
Voltage type	AC
AC nominal voltage max	230 V
Frequency max	50 Hz
Lamp	LED
Lamp holder	Without fitting
Protection class	I
Degree of protection	IP20
Dimmable	No
Control	on/off
Bulb change possible	The light source of this luminaire may only be replaced by the manufacturer or a service technician commissioned by him or a similarly qualified person.

Mounting technology	
Mounting method	Surface mounting
Place of installation	Wall-mounted
Adjustability	Not adjustable
stamp	UKCA
Material cover	Glass transparent

Packing data	
Gross weight	1.98 kg
Length of packaging	130 mm
Packaging width	130 mm
Packaging height	200 mm
Disposal at end of life	This product must not be disposed of with household waste. You are obliged, to dispose of such electrical waste separately. By disposing of electrical waste and other old or defective electronics separately, you support recycling or other forms of re-use. In that way you help to take care and to avoid that harmful substances get into the environment.