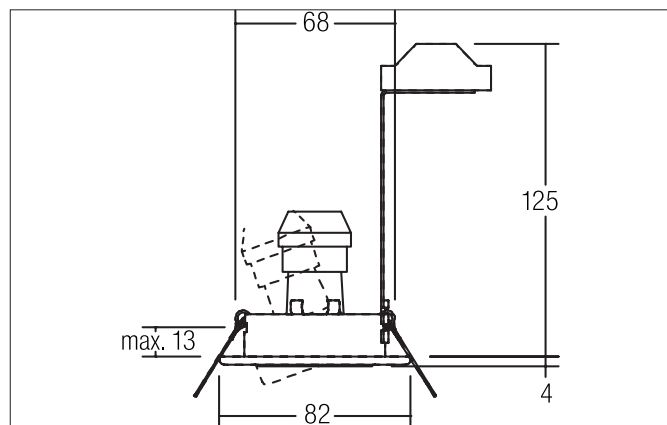


**High voltage recessed spot, GZ10**

Artikel-Nr. H1996.15

Licht.  
Für Generationen.**Tender**

High voltage recessed spot, GZ10, nickel, round. In a compact design, for installation in tool-less rapid assembly systems. Including bracket with GZ10 socket for standard-compliant strain relief. Lamp holder: GZ10, Mounting method: Recessed mounting, Place of installation: Ceiling-mounted, Material: Steel, Degree of protection: according to DIN EN 60529 IP20, Protection class: (EN 61140) II, Voltage: 230V AC 50Hz, Power: 50W, Amount of light sources / fittings: 1.0 Qty, Adjustability: Pivoted, Control: Other.

| Article data       |                                  |
|--------------------|----------------------------------|
| Artikel-Nr.        | H1996.15                         |
| GTIN               | 4250047712589                    |
| Kurzbeschreibung   | High voltage recessed spot, GZ10 |
| Material           | Steel                            |
| Colour             | Nickel                           |
| Type of surface    | Matt                             |
| Shape              | round                            |
| Outer diameter     | 82 mm                            |
| Built-in diameter  | 68 mm                            |
| Installation depth | 125 mm                           |
| weight             | 0.106 kg                         |

**High voltage recessed spot, GZ10**  
 Artikel-Nr. H1996.15

Licht.  
 Für Generationen.

| Operating technology of the luminaires |                        |
|----------------------------------------|------------------------|
| System output                          | 50 W                   |
| Voltage type                           | AC                     |
| AC nominal voltage max                 | 230 V                  |
| Frequenz max.                          | 50 Hz                  |
| Lamp                                   | for LED-retrofill lamp |
| Lamp holder                            | GZ10                   |
| Protection class                       | II                     |
| Degree of protection                   | IP20                   |
| Control                                | Other                  |
| Leuchtmittelwechsel möglich            | ja                     |

| Mounting technology   |                                           |
|-----------------------|-------------------------------------------|
| Mounting method       | Recessed mounting                         |
| Place of installation | Ceiling-mounted                           |
| Adjustability         | Pivoted                                   |
| Swivel angle          | 25°                                       |
| Further references    | No cover with thermal insulation material |
| Circlip               | Without circlip                           |

| Packing data        |          |
|---------------------|----------|
| Gross weight        | 0.137 kg |
| Length of packaging | 100 mm   |
| Packaging width     | 100 mm   |
| Packaging height    | 100 mm   |