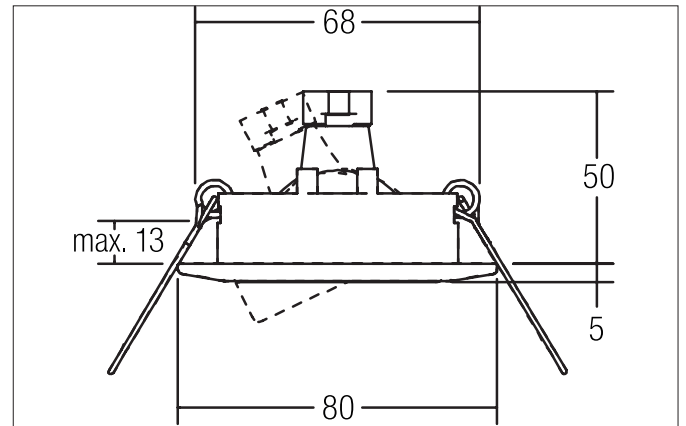


**DRAWER Recessed spot, GX5,3**  
Article no. 1925.07

Light.  
For Generations.



**Tender**

Recessed spot, GX5,3, white, Round. In a compact design, for installation in tool-less rapid assembly systems. Lamp holder: GX5.3, Mounting method: Recessed mounting, Place of installation: Ceiling-mounted, Material: Steel, Degree of protection: according to DIN EN 60529 IP20, Protection class: (EN 61140) III, Voltage: 12V, Power: 50 W, Amount of light sources / fittings: 1 Qty, Adjustability: Pivoted, without control gear, Dimmable: Depending on type of control gear, Control: Depending on driver.

**Product Benefits**

- Recessed spotlight in round design made of steel for LED retrofit lamps with GX5.3 base.
- Ceiling cut-out 68 mm, diameter 80 mm, installation depth 50 mm, IP20.
- Pivoting range 25°.
- Version: without snap ring.
- Classic, formally restrained design.
- The cover can be removed for renovation.
- Also available as GU10 version in the same look.

**DRAWER Recessed spot, GX5,3**

Article no. 1925.07

Light.  
For Generations.

| Article data       |                      |
|--------------------|----------------------|
| Article no.        | 1925.07              |
| GTIN               | 4250047708001        |
| Series name        | DRAWER               |
| Short description  | Recessed spot, GX5,3 |
| Material           | Steel                |
| Colour             | White                |
| Type of surface    | Glossy               |
| Shape              | Round                |
| Outer diameter     | 80 mm                |
| Built-in diameter  | 68 mm                |
| Installation depth | 50 mm                |
| Hight              | 5 mm                 |
| Weight             | 0.073 kg             |

| Operating technology of the luminaire |                                   |
|---------------------------------------|-----------------------------------|
| System output                         | 50 W                              |
| Voltage type                          | AC/DC                             |
| AC nominal voltage max                | 12 V                              |
| Frequenz max.                         | 50 Hz                             |
| Lamp                                  | For LED-retrofill lamp            |
| Lamp holder                           | GX5.3                             |
| Protection class                      | III                               |
| Degree of protection                  | IP20                              |
| Dimmable                              | Depending on type of control gear |
| Control                               | Depending on driver               |

| Mounting technology    |   |
|------------------------|---|
| Mounting method        | Recessed mounting                         |
| Place of installation  | Ceiling-mounted                           |
| Adjustability          | Pivoted                                   |
| Swivel angle           | 25°                                       |
| Max. ceiling thickness | 13 mm                                     |
| Further references     | No cover with thermal insulation material |
| Material cover         | Without cover                             |
| Circlip                | Without circlip                           |

| Packing data            |   |
|-------------------------|---|
| Gross weight            | 0.096 kg  |
| Length of packaging     | 85 mm   |
| Packaging width         | 43 mm   |
| Packaging hight         | 84 mm   |
| Disposal at end of life | This product must not be disposed of with household waste. You are obliged, to dispose of such electrical waste separately.<br>By disposing of electrical waste and other old or defective electronics separately, you support recycling or other forms of re-use. In that way you help to take care and to avoid that harmful substances get into the environment. |

| Compatible LED-modules |  |
|------------------------|--|
|                        |  |