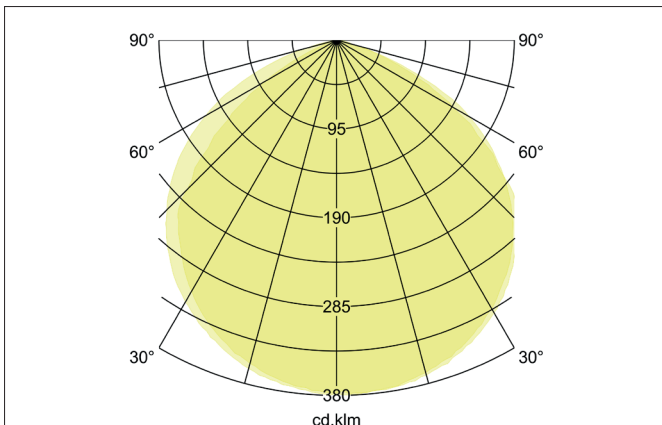
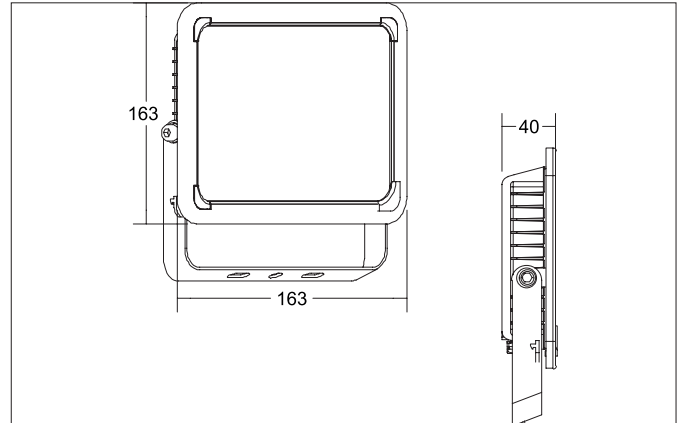


NEO MIDI LED Floodlight, IP65
Article no. 60813183

Light.
For Generations.



Tender
LED Floodlight, IP65, Rectangular. Luminaire length 233.0 mm, Luminaire width 160.0 mm, Hight 40.0 mm Weight 1.063 kg, with rotattionssymmetrical, deep, wide distributed light intensity. optimal light distribution due to a glass transparent cover. Luminous flux 5.450 lm, UGR < 25, Power 50 W, Light colour warm white, Correlated color temprature (CCT) 3.000 K, Colour rendering index CRI > 80, Rated life time L80/B10 at 25 °C: 50.000 h, Housing material: Aluminium / Glass, Colour: Black, Permissible ambient temperature (ta): -20 °C - +25 °C, Protection class (EN 61140): I, Degree of protection (DIN EN 60529): IP65, shock resistance according to IEC62262: IK08 .With electronic driver, on/off switchable.

| Article data | |
|-------------------|---|
| Article no. | 60813183 |
| GTIN | 4251433971764 |
| Series name | NEO MIDI |
| Short description | LED Floodlight, IP65 |
| Material | Aluminium / Glass |
| Colour | Black |
| Type of surface | Structure |
| Shape | Rectangular |
| Length | 233 mm |
| Width | 160 mm |
| Hight | 40 mm |
| Scope of delivery | incl. converter for connection to 230 V mains voltage and connection cable 1,000 mm |
| Weight | 1.063 kg |

NEO MIDI LED Floodlight, IP65

Article no. 60813183

Light.
For Generations.

| Lighting technology | |
|------------------------------|-----------|
| Colour temperature | 3.000 K |
| Light colour | White |
| Light output | Direct |
| Luminous flux | 5,450 lm |
| System efficiency | 109 lm/W |
| Colour rendering | CRI > 80 |
| Luminaire optics | Lens |
| Reflector | Other |
| Beam angle | 120° |
| Glare evaluation | UGR < 25 |
| Light sharing | Symmetric |
| Adjustable color temperature | No |

| Operating technology of the luminaire | |
|---------------------------------------|--|
| Voltage type | AC |
| AC nominal voltage max | 230 V |
| Frequenz max. | 50 Hz |
| Lamp | LED |
| Lamp holder | Without fitting |
| Protection class | I |
| Degree of protection | IP65 |
| Control | on/off |
| Bulb change possible | The light source of this luminaire may only be replaced by the manufacturer or a service technician commissioned by him or a similarly qualified person. |

| Mounting technology | |
|-----------------------------|-------------------|
| Mounting method | Surface mounting |
| Place of installation | Wall-mounted |
| Adjustability | Pivoted |
| Impact resistance | IK08 |
| stamp | UKCA |
| Material cover | Glass transparent |
| Suitable for through-wiring | No |

| Packing data | |
|-------------------------|---|
| Gross weight | 1.138 kg |
| Length of packaging | 240 mm |
| Packaging width | 200 mm |
| Packaging height | 45 mm |
| Disposal at end of life | This product must not be disposed of with household waste. You are obliged, to dispose of such electrical waste separately. By disposing of electrical waste and other old or defective electronics separately, you support recycling or other forms of re-use. In that way you help to take care and to avoid that harmful substances get into the environment. |

| Required accessories | |
|----------------------|--|
| | |