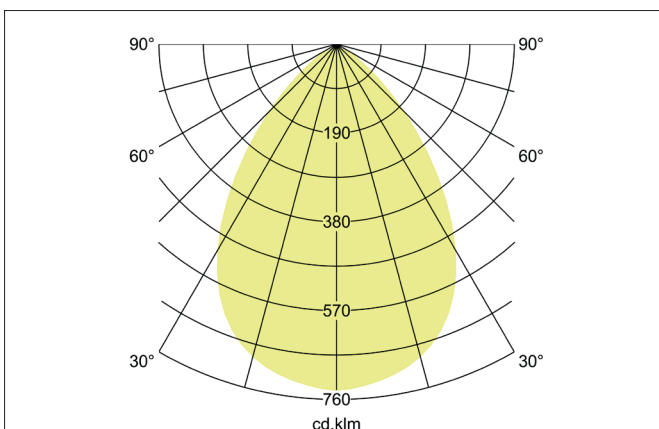
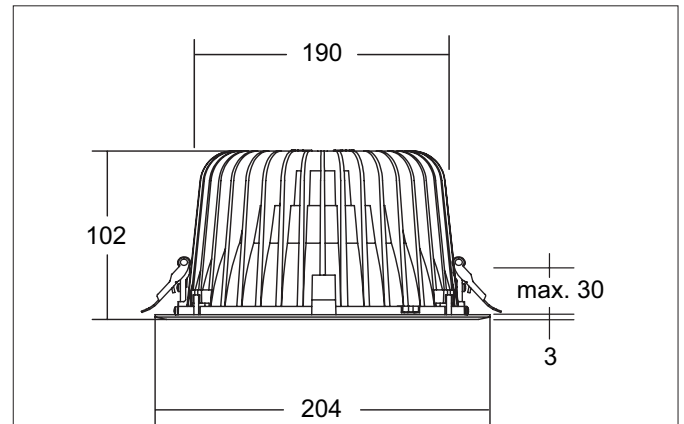


KACIE MIDI LED recessed downlight, on/off switchable

Article no. 12550174

Light.
For Generations.**Tender**

LED recessed downlight, on/off switchable, Round. Toolless ceiling installation by installation springs. Ceiling cut-out Ø 190 mm, Installation depth 102 mm, Outer diameter 204 mm, Weight 1,174 kg, Reflector silver with rotationssymmetrical, deep, wide distributed light intensity. optimal light distribution due to a polycarbonat opal cover. Luminous flux 1.962 lm, UGR < 22, Power 1 x 25 W, Light colour neutral white, Correlated color temperature (CCT) 4.000 K, Colour rendering index CRI > 90, Rated life time L70/B10 at 25 °C: 50.000 h, Rated life time L70/B50 at 25 °C: 50.000 h, Housing material: Aluminium / Polycarbonate / Steel, Colour: White structure, Permissible ambient temperature (ta): -20 °C - +25 °C, Protection class (EN 61140): II, Degree of protection (DIN EN 60529): IP20, .With electronic driver, on/off switchable.

Product Benefits

- Round recessed downlight made of massive aluminum with generously dimensioned thermal management.
- High-quality reflector and additional recessed opal diffusing lens made of polycarbonate.
- Easy and tool-free mounting.
- CRI > 90, UGR < 22 (on request also in UGR < 19).
- Low installation depth of 102 mm - diameter of 204 mm, ceiling cut-out 190 mm.
- As a variant also available in DALI dimmable.

KACIE MIDI LED recessed downlight, on/off switchable

Article no. 12550174

Light.
For Generations.

Article data	
Article no.	12550174
GTIN	4251433937715
Series name	KACIE MIDI
Short description	LED recessed downlight, on/off switchable
Material	Aluminium / Polycarbonate / Steel
Colour	White
Type of surface	Structure
Shape	Round
Outer diameter	204 mm
Built-in diameter	190 mm
Installation depth	102 mm
Hight	3 mm
Scope of delivery	Incl. converter for connection to the 230-V mains voltage, on/off switchable
Weight	1.174 kg

Lighting technology	
Colour temperature	4.000 K
Light colour	White
Light output	Direct
Luminous flux	1,962 lm
System efficiency	78 lm/W
Colour rendering	CRI > 90
Reflector	High-gloss
Reflektorfarbe	silver
Beam angle	74°
Glare evaluation	UGR < 22
Light sharing	Symmetric

Operating technology of the luminaire	
System output	25 W
Voltage type	AC
AC nominal voltage max	230 V
Frequenz max.	50 Hz
Lamp	LED
Protection class	II
Degree of protection	IP20
Dimmable	No
Control	on/off
Bulb change possible	The light source of this luminaire may only be replaced by the manufacturer or a service technician commissioned by him or a similarly qualified person.
Rated life time L70/B50 at 25 °C	50,000 h

Mounting technology	
Mounting method	Recessed mounting
Place of installation	Ceiling-mounted
Adjustability	Not adjustable
Max. ceiling thickness	30 mm
Further references	No cover with thermal insulation material
Material cover	Polycarbonat opal
Suitable for through-wiring	Yes, with optional accessories

KACIE MIDI LED recessed downlight, on/off switchable

Article no. 12550174

Light.
For Generations.

Packing data	
Gross weight	1.312 kg
Length of packaging	200 mm
Packaging width	200 mm
Packaging height	100 mm
Disposal at end of life	<p>This product must not be disposed of with household waste. You are obliged, to dispose of such electrical waste separately.</p> <p>By disposing of electrical waste and other old or defective electronics separately, you support recycling or other forms of re-use. In that way you help to take care and to avoid that harmful substances get into the environment.</p>