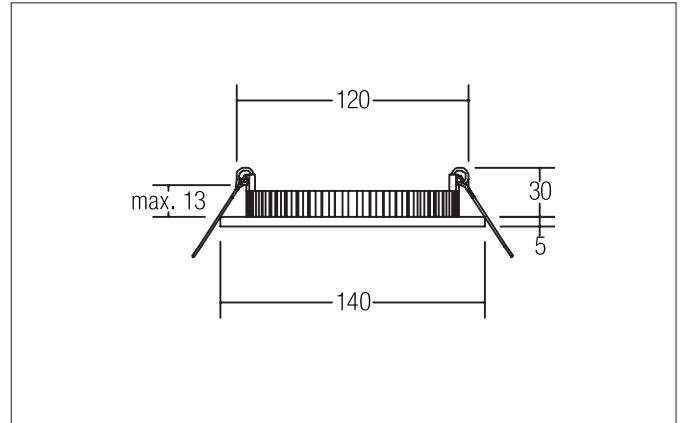


FLAT30 LED recessed panel, TunableWhite
Article no. 12435684

Light.
For Generations.



Tender

LED recessed panel, TunableWhite, Round. Toolless ceiling installation by installation springs. Ceiling cut-out Ø 120 mm, Installation depth 30 mm, Outer diameter 140 mm, Weight 0,174 kg, with rotationssymmetrical, deep, wide distributed light intensity. optimal light distribution due to a plastic, opal cover. Luminous flux 800 lm, Power 1 x 12 W, Light colour warm white to daylight white, Correlated color temperature (CCT) 2.650 - 5.600 K, Colour rendering index CRI > 85, Housing material: Aluminium / Plastic, Colour: White, Permissible ambient temperature (ta): -20 °C - +25 °C, Protection class (EN 61140): III, Degree of protection (DIN EN 60529): IP20, .For connection to an external driver, which is not included in the scope of delivery of the luminaire. Depending on driver dimmable.

Article data	
Article no.	12435684
GTIN	4251433915560
Series name	FLAT30
Short description	LED recessed panel, TunableWhite
Material	Aluminium / Plastic
Colour	White
Type of surface	Matt
Shape	Round
Outer diameter	140 mm
Built-in diameter	120 mm
Installation depth	30 mm
Hight	5 mm
Weight	0.174 kg

FLAT30 LED recessed panel, TunableWhite

Article no. 12435684

Light.
For Generations.

Lighting technology	
Colour temperature	2.650 K - 5.600 K
Light colour	White
Light output	Direct
Luminous flux	800 lm
Luminous flux 1	450 lm
Luminous flux 2	360 lm
System efficiency	67 lm/W
Colour rendering	CRI > 85
Reflector	Without
Beam angle	120°
Light sharing	Symmetric
Adjustable color temperature	Infinite control

Operating technology of the luminaire	
System output	12 W
Voltage type	DC
DC nominal voltage max	24 V
Lamp	LED
Protection class	III
Degree of protection	IP20
Dimmable	Yes
Control	Depending on driver
Bulb change possible	The light source of this luminaire may only be replaced by the manufacturer or a service technician commissioned by him or a similarly qualified person.

Mounting technology	
Mounting method	Recessed mounting
Place of installation	Ceiling-mounted
Adjustability	Not adjustable
Max. ceiling thickness	13 mm
stamp	UKCA
Further references	No cover with thermal insulation material
Material cover	Plastic, opal





Packing data	
Gross weight	0.292 kg
Length of packaging	180 mm
Packaging width	175 mm
Packaging height	60 mm
Disposal at end of life	This product must not be disposed of with household waste. You are obliged, to dispose of such electrical waste separately. By disposing of electrical waste and other old or defective electronics separately, you support recycling or other forms of re-use. In that way you help to take care and to avoid that harmful substances get into the environment.

Required accessories	

FLAT30 LED recessed panel, TunableWhite

Article no. 12435684

Light.
For Generations.

Accessories	
	<p>Article no.: 17244000 LED power supply 24 V DC, on/off switchable Leistung: 150 W Dimensions: 310 mm x 40 mm x 30 mm</p>
	<p>Article no.: 17230000 LED power supply 24 V DC, dimmable Power: 5 - 30 W Dimensions: 145 mm x 50 mm x 22 mm</p>
	<p>Article no.: 17231000 LED power supply 24 V DC, dimmable Power: 12 - 75 W Dimensions: 185 mm x 60 mm x 31 mm</p>
	<p>Article no.: 17232000 LED power supply 24 V DC, dimmable Power: 12 - 120 W Dimensions: 223 mm x 64 mm x 32 mm</p>