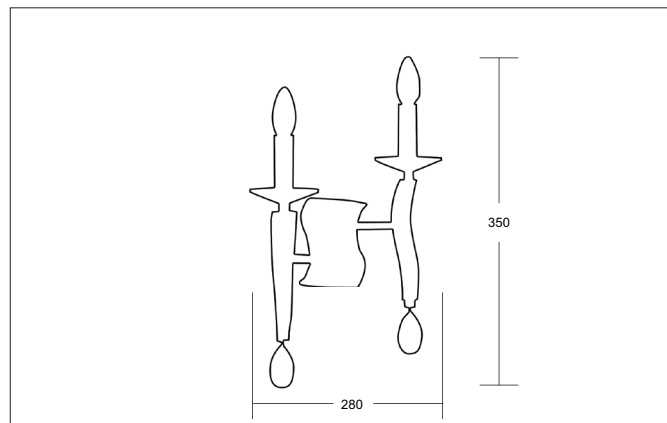


GIRATA Wandleuchte chrom glänzend, mit Kristallen

Article no. 809052

Light.
For Generations.**Tender**

Wandleuchte chrom glänzend, mit Kristallen, chrome, Other. Surface mounting, Wall-mounted Wandleuchte, mit Kristallen. Lamp holder: E 14, Mounting method: Surface mounting, Place of installation: Wall-mounted, Material: Cast Brass / Crystal, Degree of protection: according to DIN EN 60529 IP20, Protection class: (EN 61140) I, Voltage: 230V AC 50Hz, Power: 80 W, Amount of light sources / fittings: 2 Qty, without control gear, Control: Other.

Article data	
Article no.	809052
GTIN	4250047748595
Series name	GIRATA
Short description	Wandleuchte chrom glänzend, mit Kristallen
Material	Other
Colour	Chrome
Type of surface	Glossy
Shape	Other
Width	280 mm
Height	350 mm
Weight	2.200 kg

GIRATA Wandleuchte chrom glänzend, mit Kristallen

Article no. 809052

Light.
For Generations.

Operating technology of the luminaire	
Voltage type	AC
AC nominal voltage max	230 V
Frequenz max.	50 Hz
Lamp	Incandescent lamp
Lamp holder	E14
Protection class	I
Degree of protection	IP20
Control	Other
Bulb change possible	Yes

Mounting technology	
Mounting method	Surface mounting
Place of installation	Wall-mounted
Adjustability	Not adjustable
Material cover	Without cover

Packing data	
Gross weight	2.5 kg
Length of packaging	400 mm
Packaging width	400 mm
Packaging height	300 mm
Disposal at end of life	This product must not be disposed of with household waste. You are obliged, to dispose of such electrical waste separately. By disposing of electrical waste and other old or defective electronics separately, you support recycling or other forms of re-use. In that way you help to take care and to avoid that harmful substances get into the environment.