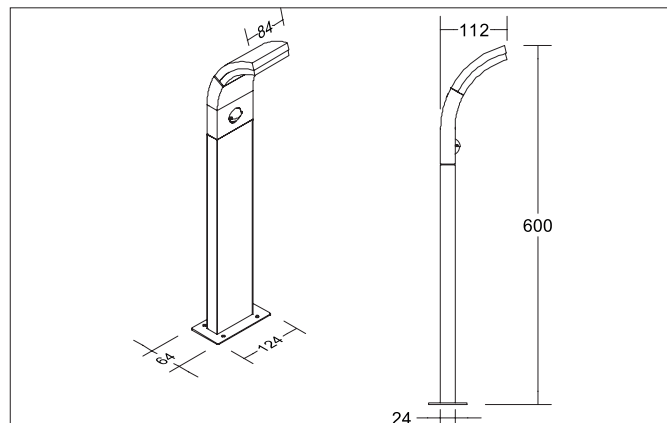


**FAGI LED bollard luminaire, IP54**

Article no. 65112103

Light.  
For Generations.**Tender**

LED bollard luminaire, IP54, Rectangular. Luminaire length 112.0 mm, Luminaire width 84.0 mm, Height 600.0 mm Weight 1.15 kg, Lumino-  
us flux 440 lm, Power 1 x 6 W, Light colour warm white to warm white, Correlated color temprature (CCT) 3.000 - 3.000 K, Colour rende-  
ring index CRI > 80, Housing material: Aluminium / Polycarbonate, Colour: Graphite structure, Permissible ambient temperature (ta): -20  
°C - +25 °C, Protection class (EN 61140): I, Degree of protection (DIN EN 60529): IP54, .With electronic driver, on/off switchable.

**Product Benefits**

Motion detector:

Light duration: from 8 seconds to 8 minutes

Range: from 6 to 9 meters

Detection angle: 120

Twilight setting: 20 - 2,000 lux

Function mode: on / off, light turns off completely after movement

**FAGI LED bollard luminaire, IP54**

Article no. 65112103

Light.  
For Generations.

Article data	
Article no.	65112103
GTIN	4251433982838
Series name	FAGI
Short description	LED bollard luminaire, IP54
Material	Aluminium / Polycarbonate
Colour	Graphite
Type of surface	Structure
Shape	Rectangular
Length	112 mm
Width	84 mm
Height	600 mm
Scope of delivery	incl. converter for connection to 230 V mains voltage, switchable
Weight	1.150 kg

Lighting technology	
Colour temperature	3.000 K
Light colour	White
Light output	Direct
Luminous flux	440 lm
System efficiency	73 lm/W
McAdam-Step	McAdam-Step 6
Colour rendering	CRI > 80
Beam angle	110°
Adjustable color temperature	No

Operating technology of the luminaire	
System output	6 W
Voltage type	AC
AC nominal voltage max	230 V
Frequenz max.	50 Hz
Frequenz min.	50 Hz
Lamp	LED
Lamp holder	Without fitting
Protection class	I
Degree of protection	IP54
Control	on/off
Bulb change possible	The light source of this luminaire may only be replaced by the manufacturer or a service technician commissioned by him or a similarly qualified person.

Mounting technology	
Mounting method	Surface mounting
Place of installation	Floor-mounted
Adjustability	Not adjustable
Further references	Outdoor

Packing data	
Gross weight	1.59 kg
Length of packaging	720 mm
Packaging width	170 mm
Packaging height	130 mm
Disposal at end of life	This product must not be disposed of with household waste. You are obliged, to dispose of such electrical waste separately. By disposing of electrical waste and other old or defective electronics separately, you support recycling or other forms of re-use. In that way you help to take care and to avoid that harmful substances get into the environment.